



# PRODUCTS CATALOG

ELECTRICAL ENCLOSURES & MODULAR CABINETS



# 20

[exmweb.com](http://exmweb.com)

## PADLOCKABLE SCREW COVER JUNCTION BOXES

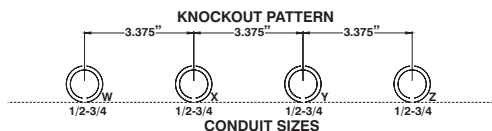
The 1100 DFP boxes are used as junction or pull boxes, and are suitable for surface mounting. These enclosures are equipped with a padlockable system that prevents removing the screw cover without previously removing the padlock. The screw cover has a lip on two opposing sides to allow the insertion of the padlock provision. Boxes and covers are made of high quality 16 GA or 14

GA steel. Four internal mounting holes, bonding screws and attachment are provided. All four sides have concentric knockouts, except when noted. These boxes are also available without knockouts (add suffix 'N' to the catalog number). Enclosures are finished with ANSI/ASA 61 smooth gray heat fused powder paint, electrostatically applied on a pre-treated base.

**CSA Certified**  
**UL Listed where noted \***  
**NEMA/EEMAC 1 / IP30**

**Refer to p.734 to validate choice of substrate for the application**

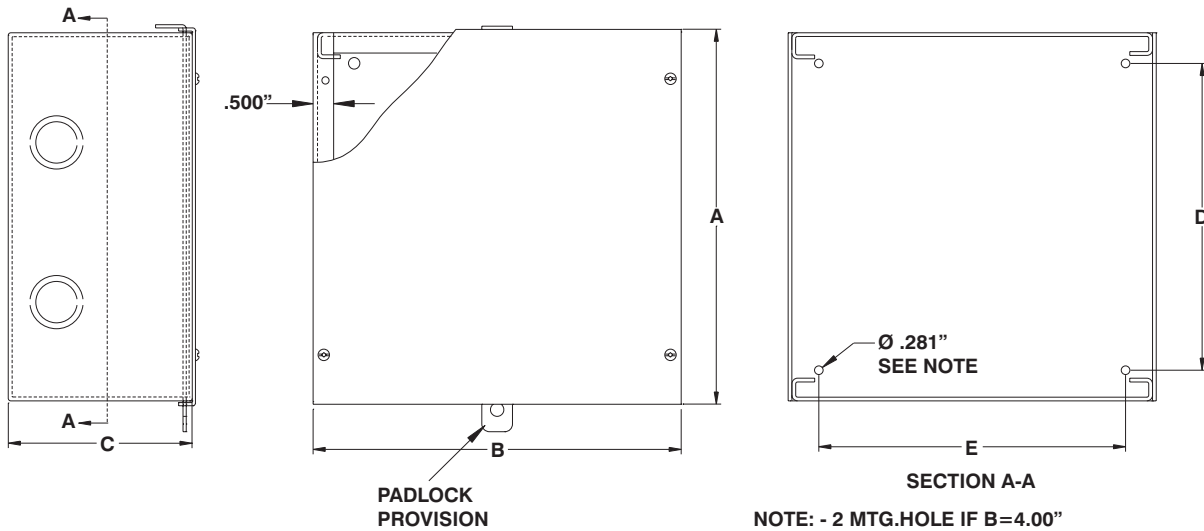
CATALOG NUMBER	DIMENSIONS					KNOCKOUTS		SHIP WGHT LBS.
	A	B	C	D	E	FACE A	FACE B	
*1100 DFP060603	6	6	3	4	4	W-X	W-X	2
*1100 DFP040404	4	4	4	2	2	W	W	1
*1100 DFP060404	6	4	4	4	2	W-X	W	2
*1100 DFP060604	6	6	4	4	4	W-X	W-X	3
*1100 DFP080604	8	6	4	6	4	W-X	W-X	3
*1100 DFP080804	8	8	4	6	6	W-X	W-X	4
*1100 DFP100804	10	8	4	8	6	W-X	W-X	5
*1100 DFP101004	10	10	4	8	8	W-X	W-X	6
*1100 DFP120604	12	6	4	10	4	W-X-Y	W-X	5
*1100 DFP120804	12	8	4	10	6	W-X-Y	W-X	6
*1100 DFP121004	12	10	4	10	8	W-X-Y	W-X	7
*1100 DFP121204	12	12	4	10	10	W-X-Y	W-X-Y	8
*1100 DFP151204	15	12	4	13	10	W-X-Y-Z	W-X-Y	10
*1100 DFP151504	15	15	4	13	13	W-X-Y-Z	W-X-Y-Z	13
*1100 DFP161604	16	16	4	14	14	W-X-Y-Z	W-X-Y-Z	13
*1100 DFP181204	18	12	4	16	10	W-X-Y-Z	W-X-Y-Z	11
*1100 DFP181504	18	15	4	16	13	W-X-Y-Z	W-X-Y-Z	14
*1100 DFP181804	18	18	4	16	16	W-X-Y-Z	W-X-Y-Z	16
*1100 DFP242404	24	24	4	22	22	W-X-Y-Z	W-X-Y-Z	31
*1100 DFP060606	6	6	6	4	4	W-X	W-X	3
*1100 DFP080606	8	6	6	6	4	W-X	W-X	5
*1100 DFP080806	8	8	6	6	6	W-X	W-X	5
*1100 DFP100606	10	6	6	8	4	W-X	W-X	5
*1100 DFP100806	10	8	6	8	6	W-X	W-X	6
*1100 DFP101006	10	10	6	8	8	W-X	W-X	7
*1100 DFP120606	12	6	6	10	4	W-X-Y	W-X	6
*1100 DFP120806	12	8	6	10	6	W-X-Y	W-X	7
*1100 DFP121006	12	10	6	10	8	W-X-Y	W-X	9
*1100 DFP121206	12	12	6	10	10	W-X-Y	W-X-Y	10
*1100 DFP151206	15	12	6	13	10	W-X-Y-Z	W-X-Y	11
*1100 DFP151506	15	15	6	13	13	W-X-Y-Z	W-X-Y-Z	13
*1100 DFP161606	16	16	6	14	14	W-X-Y-Z	W-X-Y-Z	14
*1100 DFP181206	18	12	6	16	10	W-X-Y-Z	W-X-Y	13
*1100 DFP181506	18	15	6	16	13	W-X-Y-Z	W-X-Y-Z	15
*1100 DFP181806	18	18	6	16	16	W-X-Y-Z	W-X-Y-Z	17
*1100 DFP241806	24	18	6	22	16	W-X-Y-Z	W-X-Y-Z	27
*1100 DFP242406	24	24	6	22	22	W-X-Y-Z	W-X-Y-Z	34
*1100 DFP101008	10	10	8	8	8	W-X	W-X	9
*1100 DFP121208	12	12	8	10	10	W-X-Y	W-X-Y	12
*1100 DFP151208	15	12	8	13	10	W-X-Y-Z	W-X-Y	13
*1100 DFP161608	16	16	8	14	14	W-X-Y-Z	W-X-Y-Z	14
*1100 DFP180808	18	8	8	16	6	W-X-Y-Z	W-X	17
*1100 DFP181808	18	18	8	16	16	W-X-Y-Z	W-X-Y-Z	21
*1100 DFP241208	24	12	8	22	10	W-X-Y-Z	W-X-Y	20
*1100 DFP242408	24	24	8	22	22	W-X-Y-Z	W-X-Y-Z	38



p.500

p.534

## PADLOCKABLE SCREW COVER JUNCTION BOXES



CATALOG NUMBER	DIMENSIONS					SHIP WGT LBS.
	A	B	C	D	E	
*1100 DFP040404N	4	4	4	2	-	1
*1100 DFP060404N	6	4	4	4	-	2
*1100 DFP060603N	6	6	3	4	4	2
*1100 DFP060604N	6	6	4	4	4	3
*1100 DFP080604N	8	6	4	6	4	3
*1100 DFP080804N	8	8	4	6	6	4
*1100 DFP100804N	10	8	4	8	6	5
*1100 DFP101004N	10	10	4	8	8	6
*1100 DFP120604N	12	6	4	10	4	5
*1100 DFP120804N	12	8	4	10	6	6
*1100 DFP121004N	12	10	4	10	8	7
*1100 DFP121204N	12	12	4	10	10	8
*1100 DFP151204N	15	12	4	13	10	10
*1100 DFP151504N	15	15	4	13	13	12
*1100 DFP161604N	16	16	4	14	14	13
*1100 DFP181204N	18	12	4	16	10	11
*1100 DFP181504N	18	15	4	16	13	14
*1100 DFP181804N	18	18	4	16	16	16
*1100 DFP060606N	6	6	6	4	4	3
*1100 DFP080606N	8	6	6	6	4	5
*1100 DFP080806N	8	8	6	6	6	5
*1100 DFP100606N	10	6	6	8	4	5
*1100 DFP100806N	10	8	6	8	6	6
*1100 DFP101006N	10	10	6	8	8	7
*1100 DFP120606N	12	6	6	10	4	6
*1100 DFP120806N	12	8	6	10	6	7
*1100 DFP121006N	12	10	6	10	8	9
*1100 DFP121206N	12	12	6	10	10	10
*1100 DFP151206N	15	12	6	13	10	11
*1100 DFP151506N	15	15	6	13	13	13
*1100 DFP161606N	16	16	6	14	14	14
*1100 DFP181206N	18	12	6	16	10	13
*1100 DFP181506N	18	15	6	16	13	15
*1100 DFP181806N	18	18	6	16	16	17
*1100 DFP241806N	24	18	6	22	16	27
*1100 DFP242406N	24	24	6	22	22	34
*1100 DFP302406N	30	24	6	28	22	42
*1100 DFP362406N	36	24	6	34	22	48
1100 DFP363606N	36	36	6	34	34	60

CATALOG NUMBER	DIMENSIONS					SHIP WGT LBS.
	A	B	C	D	E	
*1100 DFP101008N	10	10	8	8	8	10
*1100 DFP121208N	12	12	8	10	10	12
*1100 DFP151208N	15	12	8	13	10	13
*1100 DFP151508N	15	15	8	13	13	14
*1100 DFP161608N	16	16	8	14	14	15
*1100 DFP181808N	18	18	8	16	16	20
*1100 DFP241208N	24	12	8	22	10	20
1100 DFP241808N	24	18	8	22	16	28
*1100 DFP242408N	24	24	8	22	22	38
1100 DFP303008N	30	30	8	28	28	48
*1100 DFP362408N	36	24	8	34	22	55
1100 DFP363008N	36	30	8	34	28	56
1100 DFP363608N	36	36	8	34	34	65
*1100 DFP121210N	12	12	10	10	10	18
*1100 DFP151510N	15	15	10	13	13	22
*1100 DFP181810N	18	18	10	16	16	28
*1100 DFP202010N	20	20	10	18	18	32
*1100 DFP241810N	24	18	10	22	16	36
*1100 DFP242410N	24	24	10	22	22	41
*1100 DFP302010N	30	20	10	28	18	44
*1100 DFP302410N	30	24	10	28	22	50
1100 DFP303010N	30	30	10	28	28	60
*1100 DFP362410N	36	24	10	34	22	59
1100 DFP363010N	36	30	10	34	28	61
1100 DFP363610N	36	36	10	34	34	70
*1100 DFP121212N	12	12	12	10	10	20
1100 DFP151512N	15	15	12	13	13	24
*1100 DFP181212N	18	12	12	16	10	23
*1100 DFP181812N	18	18	12	16	16	26
*1100 DFP242412N	24	24	12	22	22	49
*1100 DFP301812N	30	18	12	28	16	45
*1100 DFP302412N	30	24	12	28	22	51
1100 DFP303012N	30	30	12	28	28	54
*1100 DFP362412N	36	24	12	34	22	57
1100 DFP363012N	36	30	12	34	28	65
1100 DFP363612N	36	36	12	34	34	70
1100 DFP484812N	48	48	12	46	46	118
1100 DFP363618N	36	36	18	34	34	112